

3-Pole Contactors

5-10 HP (460V)

10-17.5 FLA

Contactors catalog numbers are shown in the shaded area in the **Contactors Selection and Data** table. To complete the catalog number, replace the asterisk (*) with the appropriate digit from the shaded area in the **Coil Selection** table. Additional coil information is shown in the **Coil Data** table.

Contactors Selection and Data		Hp @ 460V AC-3 (kW @ 380/415V, 50 Hz)		
		5 hp (4 kW)	7.5 hp (5.5 kW)	10 hp (7.5 kW)
AC Contactors	Full Voltage Non-Reversing	CL00A310T*	CL01A310T*	CL02A310T*
	Reversing	LAR00A*	LAR01A*	LAR02A*
DC Contactors	Full Voltage Non-Reversing	CL00D310T*	CL01D310T*	CL02D310T*
	Reversing	LDR00A*	LDR01A*	LDR02A*
Aux. Contacts	Maximum Aux. Contacts	4	4	4
	Maximum Contact Block Configuration	4 Front-Mount or 1 Side-Mount on each side		
Aux. Contacts (A600, P600) (Built in)		1NO	1NO	1NO
Continuous Amp Rating (UL)		25	25	32
AC-1 Amperes (IEC)		25	25	32
AC-2/AC-3	Max. FLA	10	13.8	17.5
	Max. Hp (1-Phase)			
	115 Volts	.5	.75	1
	230 Volts	1.5	2	3
	Max. Hp (3-Phase)			
	200 Volts	3	3	5
230 Volts	3	3	5	
460 Volts	5	7.5	10	
575 Volts	7.5	10	15	
AC-4 Max. Hp	200 Volts	3	3	5
	230 Volts	3	3	5
	460 Volts	5	7.5	10
	575 Volts	7.5	10	15
Mechanical Life (millions of operations)		20	20	20
Elec. Endurance (AC-3) At Rated Current (millions of operations)		2	2	1.8
Maximum Operational Current 460V and below	AC-1 ≤ 1200 ops./hour	25	25	32
	3000 ops./hour	12.5	12.5	16
	AC-3 ≤ 1200 ops./hour	10	13.8	17.5
	3000 ops./hour	3.5	4.8	6.1
Net Weight	Contactors	10 oz.	10 oz.	10 oz.
	Class 10 Overload Relay	7 oz.	7 oz.	7 oz.
Wire Size - Power Terminals 75°C (Cu) AWG		14-10	14-10	14-10
Torque (Main) in.-lb.		15	15	15
Noise (dba)		25	25	25

Coil Selection

AC Voltage		DC Voltage	Coil * Suffix
60 Hz	50 Hz		
24	24	—	1
—	—	12	B
—	—	24	D
48	42	—	F
—	—	48	G
120	110	—	J
—	—	125	K
208	—	—	L
277	220/230	—	N
240	—	—	S
—	—	250	T
480	380/400	—	U
—	415	—	W
600	500	—	Y

Coil Data

	AC Voltage	DC Voltage
Burden		
Inrush	45 VA	5.5 W
Holding	6 VA	5.5 W
Pick-up Voltage (% Of Coil Volts)	85-110	80-110
Drop-Out Voltage (% Of Coil Volts)	40-55	20-40
Switching Delay (ms)		
Switching Delay On		
Coil Voltage at +10% to -20%	6-25	35-65
Coil Voltage At Rated Value	8-20	40-50
Switching Delay Off		
Coil Voltage at +10% to -20%	6-13	30-60
Coil Voltage At Rated Value	6-13	30-60
Maximum Operations per Hour		
No Load	9000	3600
Rated Load — AC1, AC3	1200	1200
Rated Load — AC4	360	360

REFERENCES

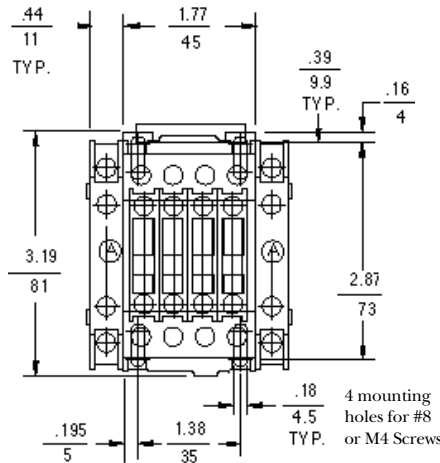
Standards and Listings	Page 41
Overload Relays	Pages 26-29
Accessories	Pages 30-37
Life Curves	Pages 42-44
Additional Coil Information	Page 37
Instruction Sheet	GEH-6223
UL File Number	E76233
CSA File Number	LR30821

3-Pole Contactors 5-10 HP (460V) 10-17.5 FLA

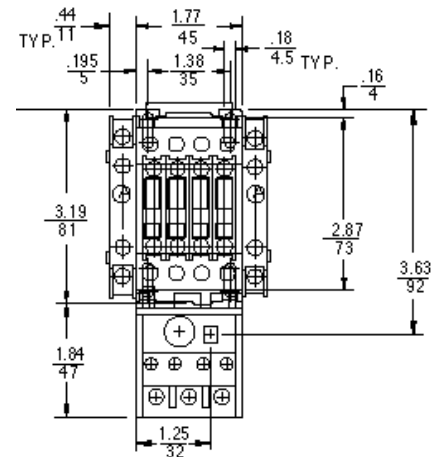
Legend and Notes for Illustration

- Ⓐ Extra Auxiliary Contacts, Side Mounted (if used)
- Ⓑ Extra Auxiliary Contacts, Front Mounted (if used)
- Ⓒ Pneumatic Timer (if used)
- Ⓓ Mechanical Latch (if used)
- Ⓔ Transient Voltage Suppressor

Add ½ inch for electrical clearance to enclosure.



Contactor - Front View



Starter - Front View

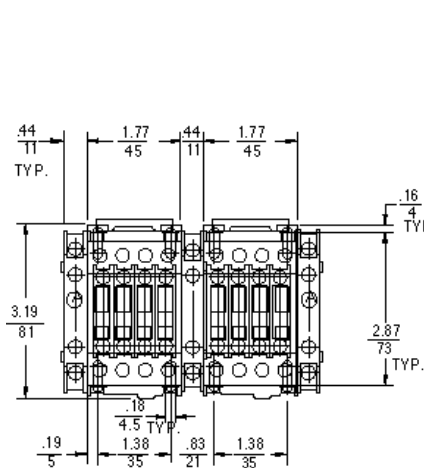
Engineering Outline Drawings

AC

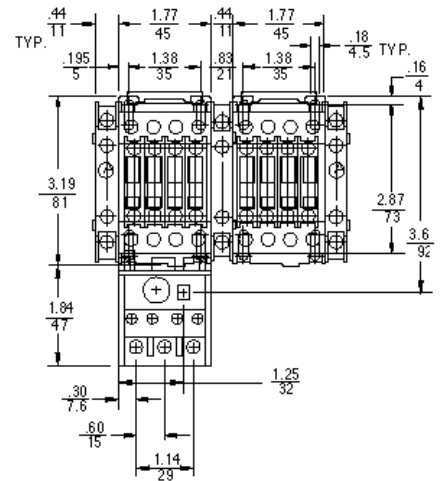
- Contactor55-215782
- Starter55-215824
- Reversing Contactor55-215790
- Reversing Starter55-215791

DC

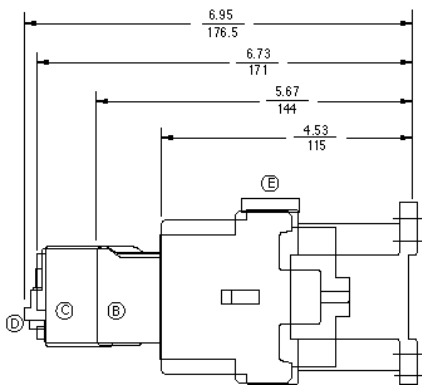
- Contactor55-215835
- Starter55-215765
- Reversing Contactor55-215779
- Reversing Starter55-215803



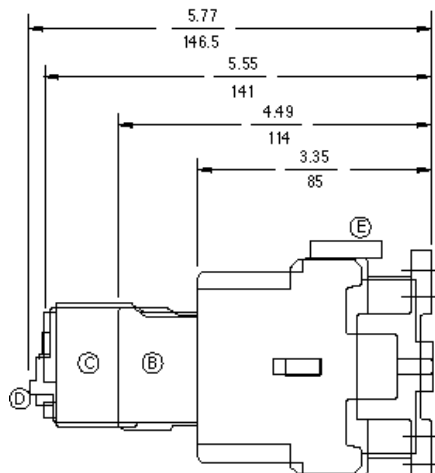
Reversing Contactor - Front View



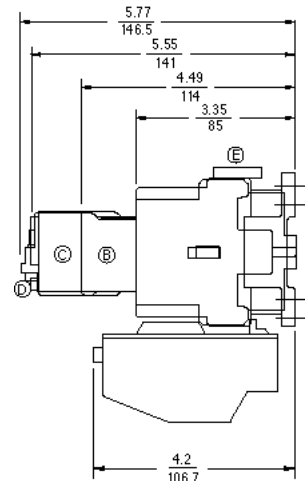
Reversing Starter - Front View



DC Contactor - Side View



AC Contactor - Side View



AC Starter - Side View